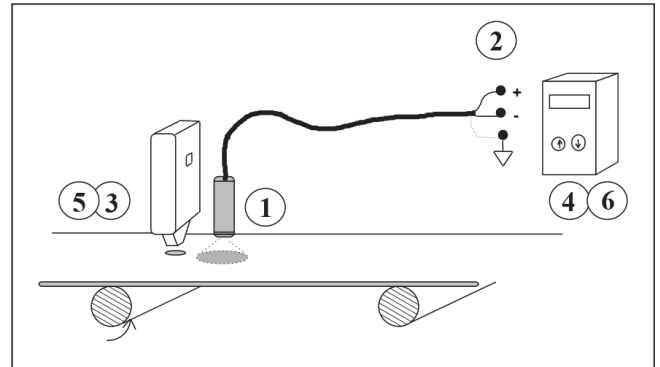


WHERE IS THE EMISSIVITY ADJUSTMENT?

In the readout device.

The normal setup and calibration as shown in the IRt/c Operating Manual and Tech Note #1 automatically compensates for the emissivity and reflectivity of the material whose temperature is being controlled, and completely accounts for these effects at the controlled temperature.

However, for processes in which the control temperature set-point varies, the control device will provide higher accuracy over a wider range if its SPAN or GAIN adjustment is used to calibrate the process. Accordingly, the calibration set-up should include a standard two point method of setting the span.



1. Install IRt/c as close as possible.
2. Wire connections in standard fashion.
3. At low operating temperature, measure actual temperature with D/DX Series.
4. Adjust OFFSET, ZERO, or LO CAL to match reading on D/DX Series.
5. At high operating temperature, measure actual temperature with D/DX Series.
6. Adjust SPAN, GAIN, or HI CAL to match reading on D/DX Series.

Exergen Global offices:

USA
400 Pleasant Street
Watertown, MA 02472
Tel: +1 617 923 9900 press 4 for industrial
Fax: +1 617 923 9911

The Netherlands
Pastoor Clercxstraat 26
5465 RH Veghel
Tel: +31 (0)413 376 599
Fax: +31 (0)413 379 310

industrial@exergen.com
www.exergen.com