



Exergen Corporation
400 Pleasant St
Watertown, MA 02472
Phone: (617) 923-9900
Fax: (617) 923-9911
Web: www.exergen.com

μ IRt/c™ Infrared Temperature Sensor

Cold Junction and Amplification Design Notes
of OEMs

Revision 2 July 2, 2007

OVERVIEW

The purpose of this document is to present a low cost method for an OEM to accurately acquire temperature measurements using the uIRt/c™. In no way does this document cover every possible difficulty an engineer might encounter when undergoing development. However, the document will give the engineer a basic understanding of the techniques available to get them started.

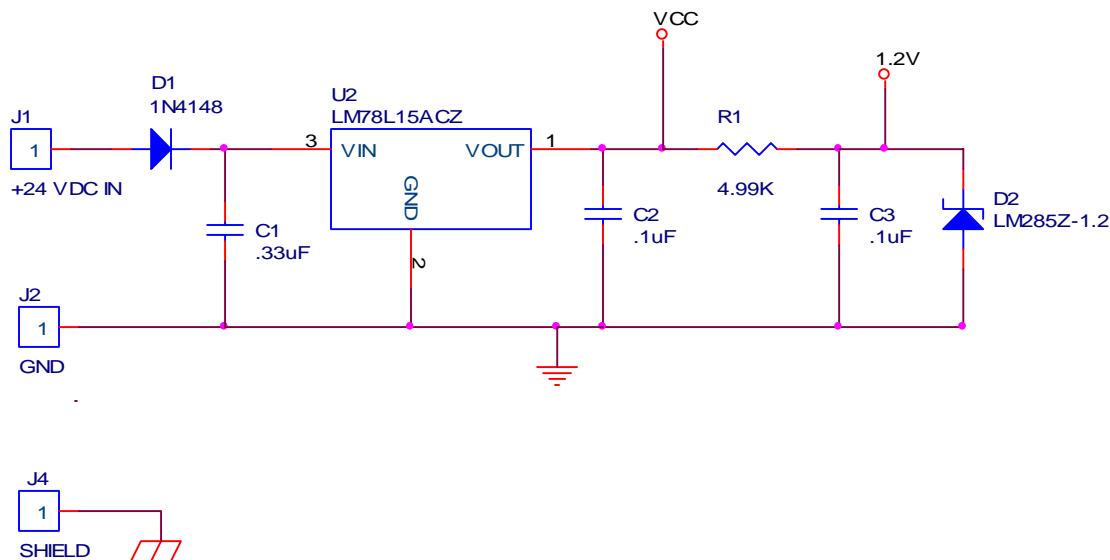
We assume that the engineer is already familiar with thermocouples and Exergen IR Thermocouples. The circuit presented is perfect for interfacing between the uIRt/c™ and off the shelf controllers or microprocessors (MPUs).

CIRCUITS

Exergen proposes starting with two simple circuits. These circuits may need modification or elimination depending on the needs of the project. The first circuit regulates power for the second portion; the cold junctions and amplification of the uIRt/c™ signal.

Power Supply

The cold junction and amplification portion of the circuit requires 15V to run the amplifiers and output stage. Other voltages could be used, depending on the temperature range of interest. The cold junction circuit uses a 1.2V reference. This reference needs to be stable, as noise and drift will affect overall performance. If these voltages are not appropriate for your application, please contact Exergen for alternatives.



Cold Junction and Amplification

This circuit is composed of two parts; the cold junction and the amplification. Depending on what ambient temperature range and target temperature range is required for the application, component values within the circuit can be varied. We have proposed three circuit configurations. These are good starting designs and should work for 90% of application. If you need something different, please contact Exergen and we can make up a new design for your application.

COST

Cost is obviously a very important issue. Here is a rough bill of materials with cost estimates. The components cost are taken from a major on-line distributor, so it is likely one can do better if they look around.

uIRt/c Cold Junction and Amplification Circuit

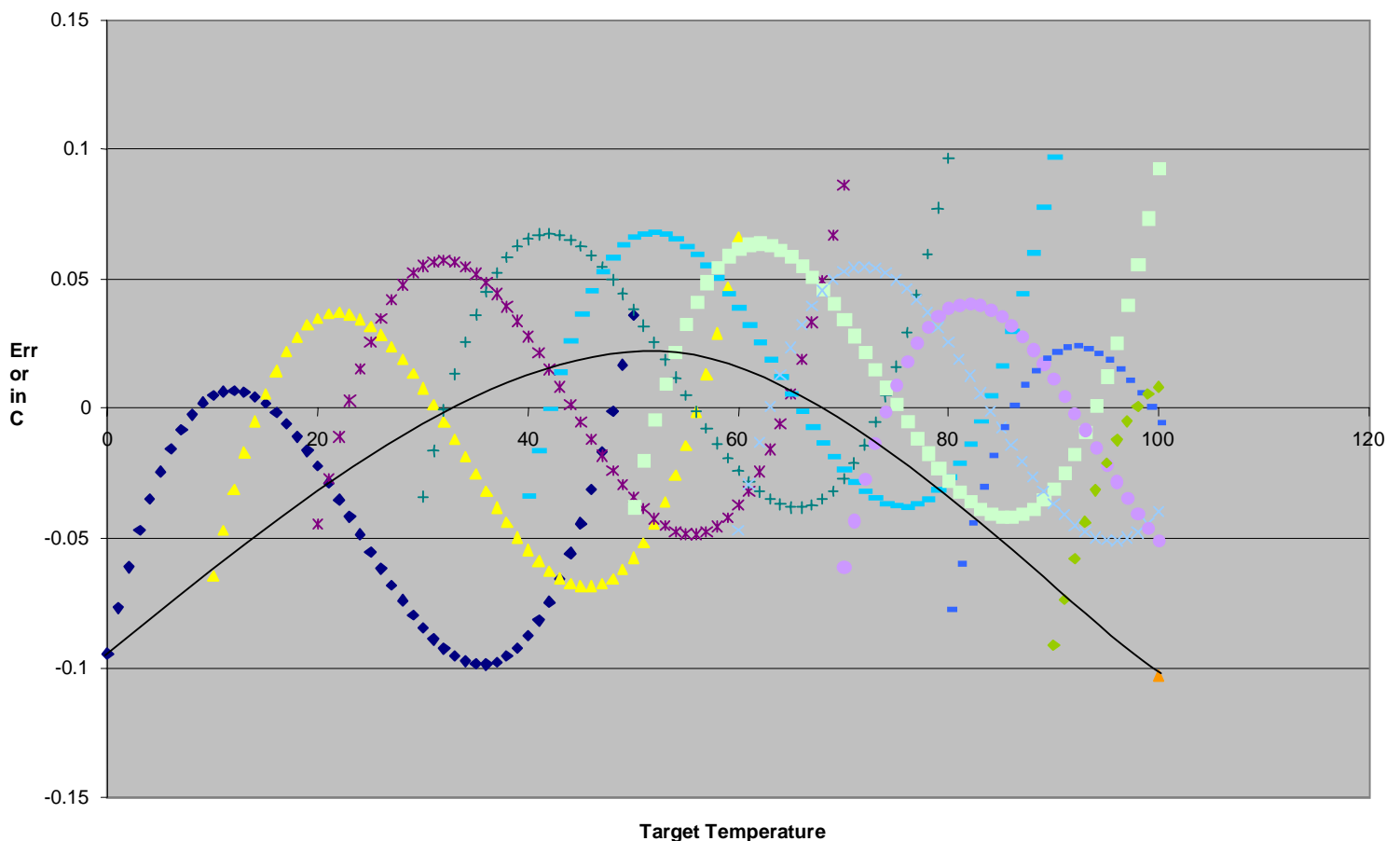
Cost in US Dollars

Component Name	Part Number/Description	Quantity per Unit	100 parts	extended	1000 Parts	extended
Voltage Regulator	LM78L15ACZ	1	0.2378	0.2378	0.123	0.123
Diode	1N4148	1	0.0675	0.0675	0.02438	0.02438
Voltage Reference	LM285Z-1.2	1	0.86	0.86	0.559	0.559
Amp	TC7650CPA		2.98	5.96	5.96	5.96
Transistor	2N3904	1	0.1235	0.1235	0.0513	0.0513
Resistors	1%	9	0.04135	0.37215	0.02138	0.19242
Resistors	0.1%	1	0.72	0.72	0.54	0.54
Ceramic Cap	.1UF 50V 10% CER RADIAL	4	0.112	0.448	0.06272	0.25088
Thermistor	0.1% at 25C	1	3.975	3.975	1.9875	1.9875
Total per Unit				\$12.77		\$9.68

Performance

The below graph gives a general understand of the performance to be expected from the above circuits. It is important to understand the conditions for which the graph was generated. The below graph represents the 0-100-output amplification for any uIRt/c model circuit. It was assumed that a perfect thermocouple was being connected to the amplification circuit, and that all components were at nominal values. Since the uIRt/c accurately simulate a thermocouple in the region of intend use, the accuracy outside of that region will be less.

Amplifier for K type thermocouple 0-100C



Each line in the graph represents a different combination of uIRt/c temperature and cold junction temperature. For each data set, represented by color, the curve you see is generated by the inaccuracy of the cold junction. The shape will be exaggerated when different thermistor or component values are used. The black curve represents the error due to the non-linearity of the perfect thermocouple. When you place an uIRt/c into this circuit, this curve changes shape and rate of change.

CLOSURE

We hope that this report at least has you own your way to making an interface for your uIRt/c application. As always fee free to contact Exergen with additional questions.

Exergen Corporation
Watertown, MA 02472
Phone: (617) 923-9900
Fax: (617) 923-9911
Web: www.exergen.com