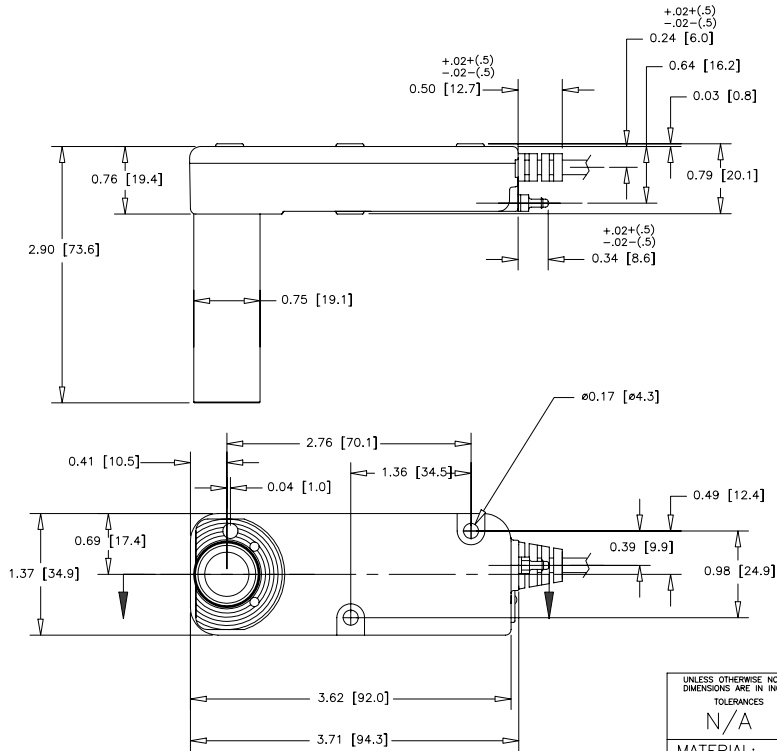


THE INFORMATION DISCLOSED HEREIN IS THE PROPERTY OF EXERGEN CORPORATION. EXERGEN RESERVES ALL PATENT, PROPRIETARY, DESIGN, USE, SALE, MANUFACTURING AND REPRODUCTION RIGHTS THERE TO.

REVISIONS					
REV	ZONE	DESCRIPTION	ECO	DATE	APPROVED
1	N/A	RELEASE	2065	5/03	B.D.



UNLESS OTHERWISE NOTED DIMENSIONS ARE IN INCHES TOLERANCES	DR: Bob T.5/03	EXERGEN CORPORATION	
	N/A	TITLE: 40:1 SmartIR/c Outline Drawing	
MATERIAL: n/a	CHK:	DRAWING NO.:	
FINISH: n/a	APPD:	REV.:	1
	APPD:	SCALE: 1x	1

SHEET:

OF