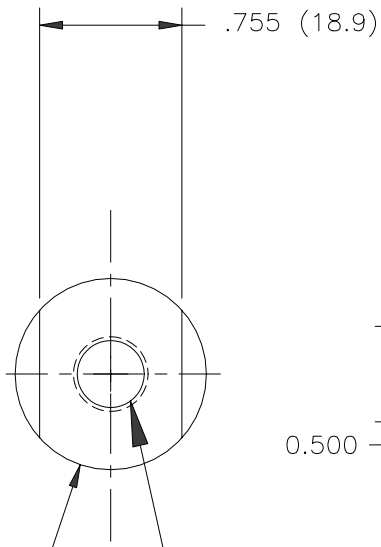
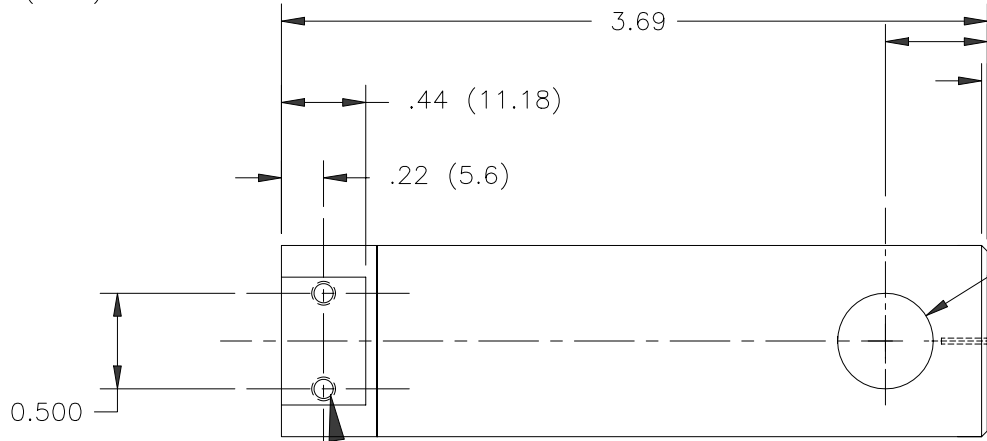


LATS CAN LAND  
 ATION IN RELATION  
 NSOR HOLE.



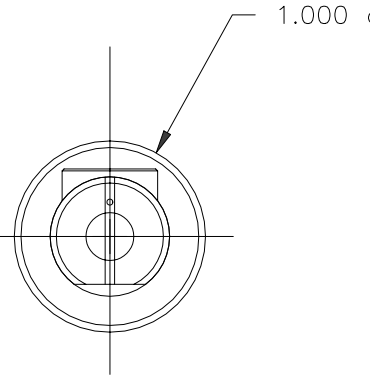
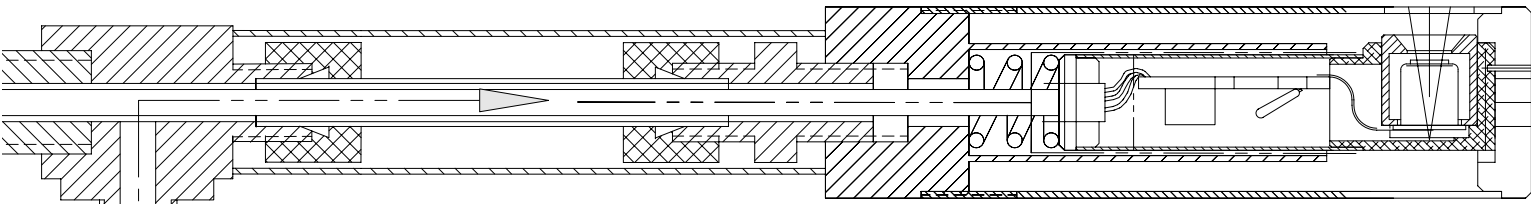
1/8 N.P.T.  
 (FITTING HOLE)

1.000 DIA.  
 (25.4)



M4 X .7 4 PLACES  
 (MOUNTING HOLES)

.500 THRU ONE WALL



UNLESS OTHERWISE NOTED  
 DIMENSIONS ARE IN INCHES

TOLERANCES

.XX±  
 .XXX±  
 ANGLE

MATERIAL

DR
CHK
APPD
APPD

EXERGEN  
 CORPORATION

TITLE

SIDE VIEW COOLING JACKET  
 OUTLINE DRAWING

SIZE

DRAWING NO

LE