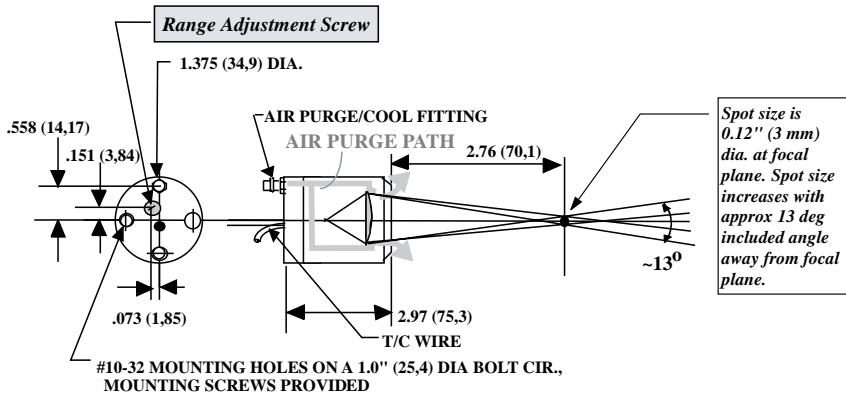


IRt/c.2/18AMF

Medium Focus
"Slot Spot"



IRt/c.3AMF

Medium Focus
0.12" (3 mm) Spot



Target Surface Type	IRt/c.2/18AMF		IRt/c.3AMF	
	Hi E (non-metal)	Lo E (metal)	Hi E (non-metal)	Lo E (metal)
Sensing Range	0 to 2500°F (-18 to 1370°C)	600 to 2500°F (320 to 1370°C)	500 to 2500°F (260 to 1370°C)	1100 to 2500°F (590 to 1370°C)
Optimum Range Selections	One model each J, K; adjustable over entire sensing range, output tables available			
Minimum Spot Size at Focus	0.18 x 0.5" (4.5 x 12.8 mm) at 3" (76 mm) from sensor		0.15" (3.7 mm) at 3" (76 mm) from sensor	
Field-of-View (non-focus)	13° approximately			
Spectral Response	2 to 20 μ	0.1 to 5 μ	2 to 20 μ	0.1 to 5 μ
Output Impedance	10 Kohms approx			
Cable	Twisted shielded pair of base thermocouple material (J,K,etc.), 3 ft (.9 m) std length, Teflon sheathed, rated to 392°F (200°C) continuous service.			
Dimensions	2.97" x 1.375" Dia. (75.3 x 35 mm)			
Weight	6.8 oz (192 g) with cable			
Housing	Stainless steel, hermetically sealed, exceeds NEMA 4,4x; IP65,67, intrinsically safe, cable shield grounded to housing and electrically isolated from signal.			
Air Purge	Built-in; cooling capacity to 400°F (200°C) ambient; 3' (0.9 m) polyurethane tubing provided			